

Since the usage and finishing of the product is not under our control, we accept no liability for the success of the work and can therefore only guarantee the nature of our products as per the accompanying product data sheets and in accordance with our general terms and conditions of sale. The properties listed here represent no guarantee with respect to the eventual use of our products. We reserve the right to make changes due to technical advances. Any other technical information given in the course of a consultation must be confirmed in writing. Colours shown here are restricted by the printing techniques and may differ from those exhibited by the products themselves. We also reserve the right to make alterations to the product technology or design. Only the current version of this data sheet is valid. Such versions are accessible by anyone via the internet. The issue of the latest data sheet invalidates all those that have been published beforehand.

DURAPLUS DIAMOND

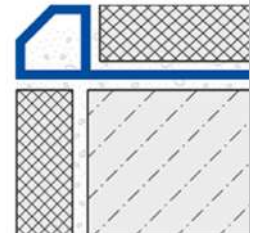
1/2

Diamond cross-section profile with a luxurious appearance and feel

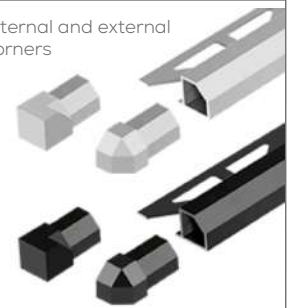
- Information Sheet -



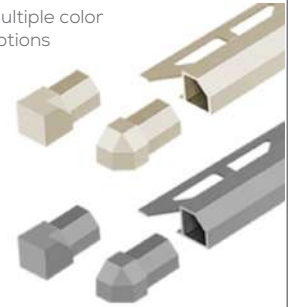
Aluminum



Internal and external corners



Multiple color options



APPLICATION:

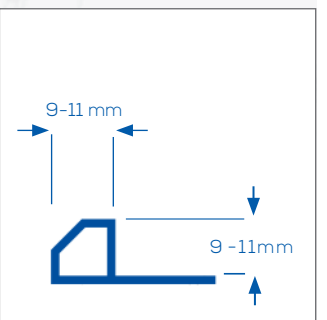
DURAPLUS DIAMOND takes profile design to a new dimension. The precise chamfered edge, also referred to as a diamond cut, gives the profiles a diverse play of light in its different nuances. The DURAPLUS DIAMOND, with a perfectly symmetrical design at exactly 45°, also offers top-quality edge protection for residential and commercial applications. The matching internal and external corners are also made with a 45° cut to take edge design to a new dimension.

MATERIAL:

DURAPLUS DIAMOND profiles are available in anodized aluminum and powder coated aluminum.

PROPERTIES:

DURAPLUS DIAMOND profiles of anodized aluminum and powder coated aluminum are of special refinement and therefore the surface is usually not subject to changes. The visible surfaces however, have to be protected against any cement materials. Damages can occur because of scratching or abrasive objects. The suitability of the material with regard to the expected mechanical loading and chemical exposure must be investigated carefully in each individual case.



Dural

711 N Varnell Rd
Tunnel Hill, GA 30755
800.278.1956

www.dural.com



DURAPLUS DIAMOND

2/2



Diamond cross-section profile with a luxurious appearance and feel

- Information Sheet -

INSTALLATION:

1. Select DURAPLUS DIAMOND profiles according to the tile thickness.
2. Apply tile cement in the appropriate area using a notched trowel.
3. Press DURAPLUS DIAMOND profiles into the cement bed and align.
4. Completely level out the fastening legs.
5. Leaving a joint of 2-3 mm towards the profile, press the tiles tightly into the cement bed. Align the tiles so that they are flush with the upper profile edge.
6. Fill the space between tiles and profiles completely with joint grout.
7. Adhesive and grout should always be removed immediately from all visible surfaces using plenty of water

CARE AND MAINTENANCE:

Care must also be taken to ensure that cement removers used to clean the surface of the ceramic tiles do not come into contact with the surface of the profiles. Protective measures must be taken, in this case, to prevent any damage to the surface.

PRODUCT DATA:

MATERIAL:	<ul style="list-style-type: none">- Anodized aluminum- Powder coated aluminum
LENGTH:	250 cm, 300 cm
HEIGHT:	9-11 mm
VISIBLE SURFACE:	9-11 mm

Dural

711 N Varnell Rd.
Tunnel Hill, GA 30755
800.278.1956

www.dural.com