

Since the usage and finishing of the product is not under our control, we accept no liability for the success of the work and can therefore only guarantee the nature of our products as per the accompanying product data sheets and in accordance with our general terms and conditions of sale. The properties listed here represent no guarantee with respect to the eventual use of our products. We reserve the right to make changes due to technical advances. Any other technical information given in the course of a consultation must be confirmed in writing. Colours shown here are restricted by the printing techniques and may differ from those exhibited by the products themselves. We also reserve the right to make alterations to the product technology or design. Only the current version of this data sheet is valid. Such versions are accessible by anyone via the internet. The issue of the latest data sheet invalidates all those that have been published beforehand.

DURALIS LED

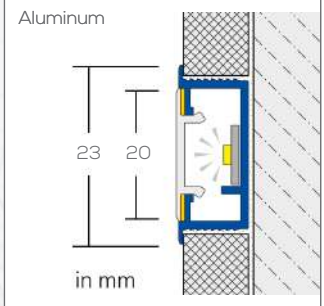
1/5

Listello decorative profiles for tiles, natural stone and other floor coverings

- Information Sheet -



DURAL



For floor insertion, seal with
DURALIS-LED adhesive
tape DLK



APPLICATION:

DURALIS-LED is ideal for use as indirect lighting and gives any room that very special touch. Whether integrated in the wall surface or the floor covering, they are an exciting alternative to other decorative edging.

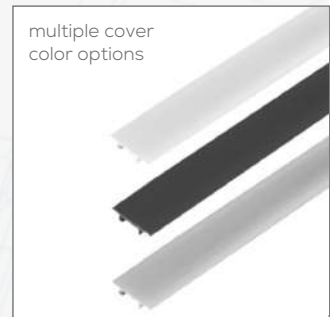
MATERIAL:

DURALIS-LED profiles are made of top-quality anodized aluminum with a translucent polycarbonate cover.

PROPERTIES:

DURALIS-LED profiles in anodized aluminum are of special refinement and therefore the surface is usually not subject to changes. The visible surfaces however, have to be protected against any cement materials. Damages can occur because of scratching or abrasive objects. The suitability of the material with regard to the expected mechanical loading and chemical exposure must be investigated carefully in each individual case. In damp areas, various types of protections may be needed for specific sections. LED-Strips with spray water protection suitable for wet areas may need to be installed.

multiple cover
color options



Dural

711 N Varnell Rd
Tunnel Hill, GA 30755
800.278.1956

www.dural.com

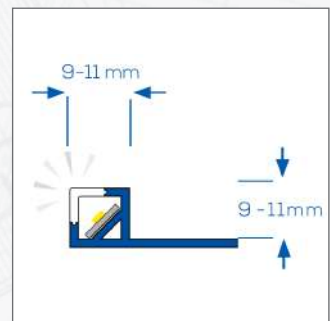
Since the usage and finishing of the product is not under our control, we accept no liability for the success of the work and can therefore only guarantee the nature of our products as per the accompanying product data sheets and in accordance with our general terms and conditions of sale. The properties listed here represent no guarantee with respect to the eventual use of our products. We reserve the right to make changes due to technical advances. Any other technical information given in the course of a consultation must be confirmed in writing. Colours shown here are restricted by the printing techniques and may differ from those exhibited by the products themselves. We also reserve the right to make alterations to the product technology or design. Only the current version of this data sheet is valid. Such versions are accessible by anyone via the internet. The issue of the latest data sheet invalidates all those that have been published beforehand.

SQUARELINE-LED

2/5

LED illuminated edge profile with square cross-section

- Information Sheet -



APPLICATION:

SQUARELINE-LED is a modern cubic cross-section lighting profile that is the perfect fit for vibrant corners and edges. The translucent cover collects the LED light into a homogeneous unit giving a consistent smooth line of light.

MATERIAL:

SQUARELINE-LED profiles are made of top-quality anodized aluminum with a translucent polycarbonate cover.

PROPERTIES:

SQUARELINE-LED profiles in anodized aluminum are of special refinement and therefore the surface is usually not subject to changes. The visible surfaces however, have to be protected against any cement materials. Damages can occur because of scratching or abrasive objects. The suitability of the material with regard to the expected mechanical loading and chemical exposure must be investigated carefully in each individual case. In damp areas, various types of protections may be needed for specific sections. LED-Strips with spray water protection suitable for wet areas may need to be installed.



Dural

711 N Varnell Rd
Tunnel Hill, GA 30755
800.278.1956

www.dural.com

Since the usage and finishing of the product is not under our control, we accept no liability for the success of the work and can therefore only guarantee the nature of our products as per the accompanying product data sheets and in accordance with our general terms and conditions of sale. The properties listed here represent no guarantee with respect to the eventual use of our products. We reserve the right to make changes due to technical advances. Any other technical information given in the course of a consultation must be confirmed in writing. Colours shown here are restricted by the printing techniques and may differ from those exhibited by the products themselves. We also reserve the right to make alterations to the product technology or design. Only the current version of this data sheet is valid. Such versions are accessible by anyone via the internet. The issue of the latest data sheet invalidates all those that have been published beforehand.

FLORENTOSTEP-LED

3/5

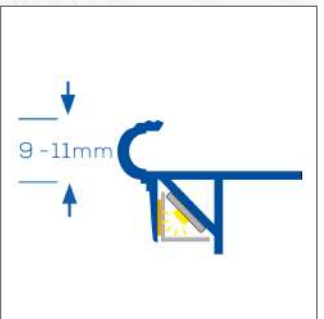
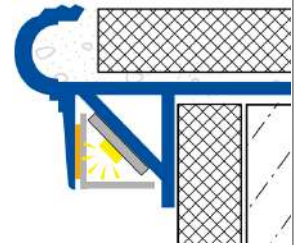
LED illuminated step profile

- Information Sheet -



DURAL

Aluminum



APPLICATION:

FLORENTOSTEP-LED are stair step profiles in a florentine design for stairs with tile or natural stone covering for indoor and outdoor areas. The classic elegant appearance and high load-bearing capacity for the comprehensive protection of step edges in all areas is enhanced even more with the use of modern LED strips.

MATERIAL:

FLORENTOSTEP-LED profiles are made of top-quality anodized aluminum with a translucent polycarbonate cover.

PROPERTIES:

FLORENTOSTEP-LED profiles in anodized aluminum are of special refinement and therefore the surface is usually not subject to changes. The visible surfaces however, have to be protected against any cement materials. Damages can occur because of scratching or abrasive objects. The suitability of the material with regard to the expected mechanical loading and chemical exposure must be investigated carefully in each individual case. In damp areas, various types of protections may be needed for specific sections. LED-Strips with spray water protection suitable for wet areas may need to be installed.

multiple cover
color options



Dural

711 N Varnell Rd
Tunnel Hill, GA 30755
800.278.1956

Since the usage and finishing of the product is not under our control, we accept no liability for the success of the work and can therefore only guarantee the nature of our products as per the accompanying product data sheets and in accordance with our general terms and conditions of sale. The properties listed here represent no guarantee with respect to the eventual use of our products. We reserve the right to make changes due to technical advances. Any other technical information given in the course of a consultation must be confirmed in writing. Colours shown here are restricted by the printing techniques and may differ from those exhibited by the products themselves. We also reserve the right to make alterations to the product technology or design. Only the current version of this data sheet is valid. Such versions are accessible by anyone via the internet. The issue of the latest data sheet invalidates all those that have been published beforehand.

SQUARESTEP-LED

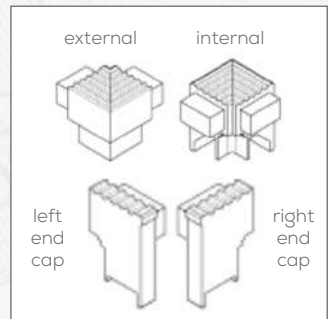
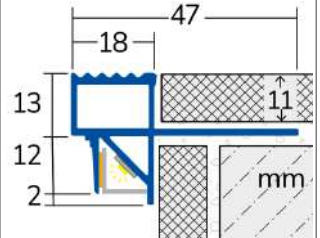
4/5

LED illuminated anti-slip step profile

- Information Sheet -



Aluminum



APPLICATION:

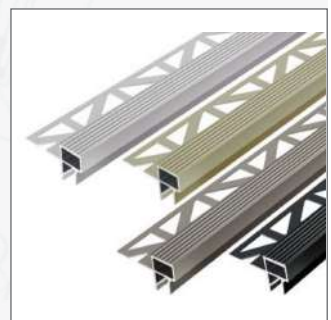
SQUARESTEP-LED are stair step profiles with an anti-slip tread for stairs with tile or natural stone covering for indoor and outdoor areas. The grooved step is designed to give superior grip for high safety standards. SQUARESTEP-LED profiles also provide load-bearing capacity for the comprehensive protection of step edges.

MATERIAL:

SQUARESTEP-LED profiles are made of top-quality anodized aluminum with a translucent polycarbonate cover.

PROPERTIES:

SQUARESTEP-LED profiles in anodized aluminum are of special refinement and therefore the surface is usually not subject to changes. The visible surfaces however, have to be protected against any cement materials. Damages can occur because of scratching or abrasive objects. The suitability of the material with regard to the expected mechanical loading and chemical exposure must be investigated carefully in each individual case. In damp areas, various types of protections may be needed for specific sections. LED-Strips with spray water protection suitable for wet areas may need to be installed.



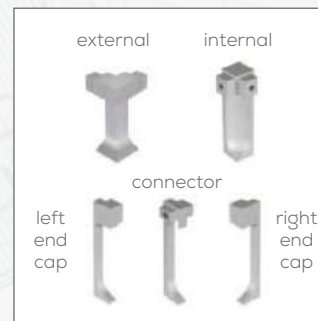
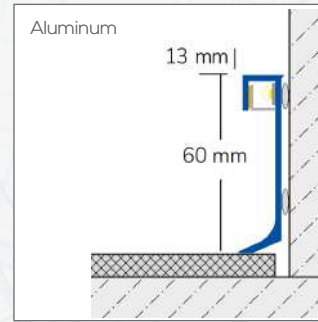
Since the usage and finishing of the product is not under our control, we accept no liability for the success of the work and can therefore only guarantee the nature of our products as per the accompanying product data sheets and in accordance with our general terms and conditions of sale. The properties listed here represent no guarantee with respect to the eventual use of our products. We reserve the right to make changes due to technical advances. Any other technical information given in the course of a consultation must be confirmed in writing. Colours shown here are restricted by the printing techniques and may differ from those exhibited by the products themselves. We also reserve the right to make alterations to the product technology or design. Only the current version of this data sheet is valid. Such versions are accessible by anyone via the internet. The issue of the latest data sheet invalidates all those that have been published beforehand.

CONSTRUCT-LED

5/5

LED illuminated skirting

- Information Sheet -



APPLICATION:

CONSTRUCT-LED are anodized aluminum skirting wall bases designed to accommodate lighting components. These systems can be installed over multiple flooring surfaces and are ideal for residential or commercial providing a clean modern look.



MATERIAL:

CONSTRUCT-LED profiles are made of top-quality anodized aluminum with a translucent polycarbonate cover.



PROPERTIES:

CONSTRUCT-LED profiles in anodized aluminum are of special refinement and therefore the surface is usually not subject to changes. The visible surfaces however, have to be protected against any cement materials. Damages can occur because of scratching or abrasive objects. The suitability of the material with regard to the expected mechanical loading and chemical exposure must be investigated carefully in each individual case. In damp areas, various types of protections may be needed for specific sections. LED-Strips with spray water protection suitable for wet areas may need to be installed.

Dural

711 N Varnell Rd
Tunnel Hill, GA 30755
800.278.1956

www.dural.com