

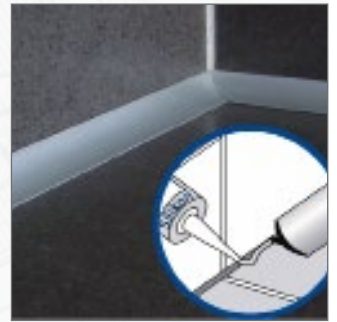
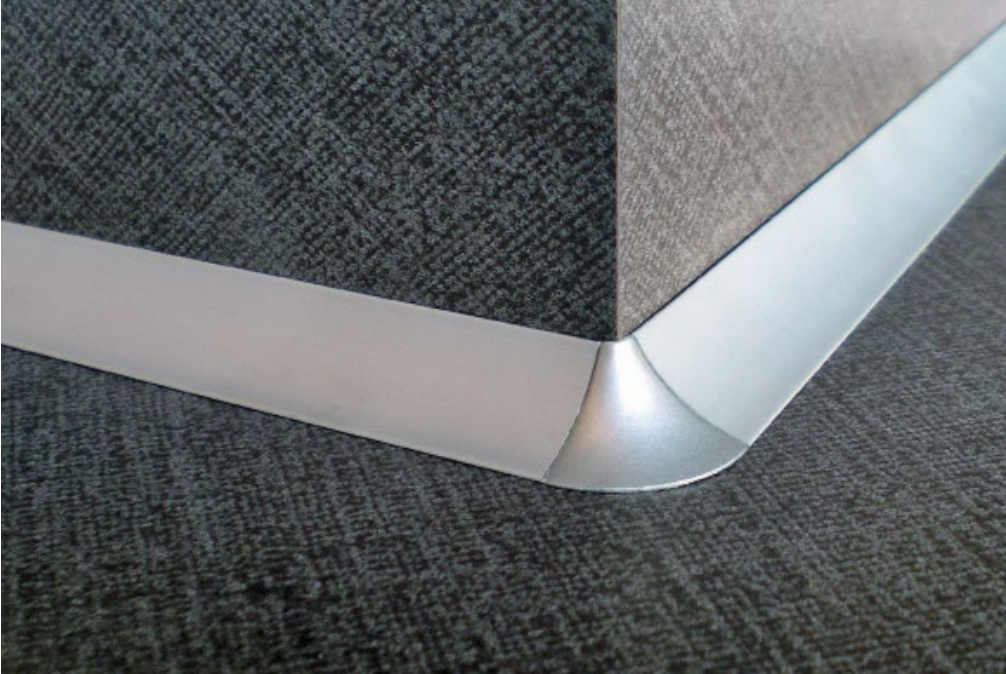
T-COVE

1/2

Skirting and cove profiles for junctions between wall and floor

- Information Sheet -

DURAL



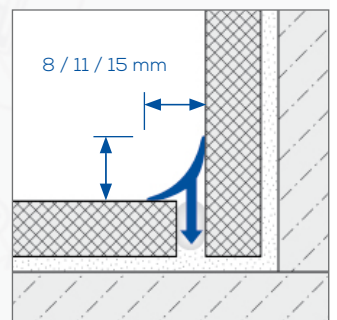
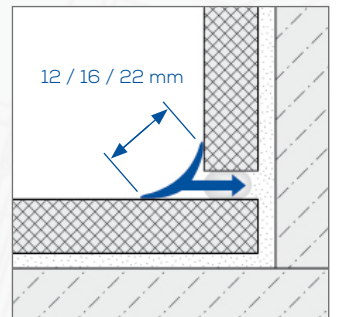
APPLICATION:

T-COVE profiles are made of aluminum and designed for skirting and edging at junctions between the wall and floor. They can be used in residential or commercial applications. Wherever there are cracked, poorly adhered or unpleasantly faded or dirty silicone joints, T-COVE profiles cover them up easily and quickly.

The T-COVE concept opens up entirely new design possibilities in rooms or stairways being refurbished or renovated, whether they are in private homes or commercial sites or in buildings either partially or fully accessible to the public. For example, they can give an attractive looking finish to offices, exhibition halls, educational or medical establishments, conference facilities, foyers and much more.

MATERIAL:

T-COVE profiles are made of anodized aluminum and powder coated to ensure that surfaces do not usually lose their appearance. Visible surfaces do, however, need to be protected from any cement residues. Damage could also be caused by grouting materials that tend to scratch or abrade or by other hard objects. Since aluminum is susceptible to alkalines, any mortar, tile adhesive or grout residues need to be removed immediately from any visible surface.



Dural

711 N Varnell Rd
Tunnel Hill, GA 30755
800.278.1956

www.dural.com



Skirting and cove profiles for junctions between wall and floor

- Information Sheet -

INSTALLATION:

Installation is thoroughly simple. For example, in the course of rebuilding or renovations, any old cracked silicone joints should first be completely removed and the resulting space should be filled with an elastic spray sealant. The central rail of the profile can then simply be pushed into that. T-COVE profiles can be used for both horizontal and vertical joints.

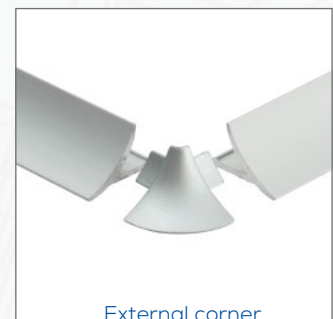
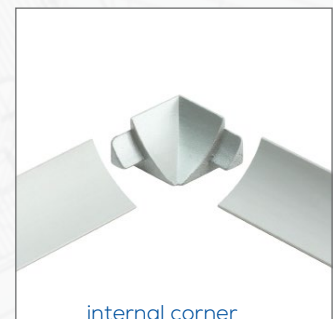
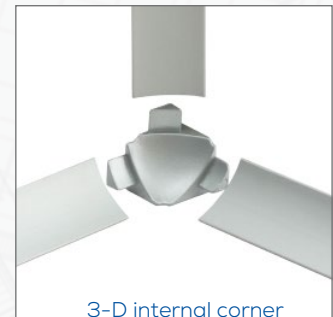
For both aesthetic and technical reasons, T-COVE profiles should be installed along with their matching internal or external corner pieces. The corner pieces should be installed first, then the T-COVE profiles themselves can be attached. If necessary, T-COVE profiles can be cut to length. They should be fitted flush to the corner pieces with no gaps. Both profiles and the corner pieces can be attached using adhesives made of acrylic, MS polymer, silicone rubber or other suitable adhesives.

MAINTENANCE:

All aluminum surfaces exhibit a severe reaction to alkaline tile adhesives and grout. Under adverse circumstances this may even cause the surface to be corroded resulting in permanent damage. Aluminum surfaces should therefore be suitably protected during installation and grouting so that no alkaline media come into direct contact with the profile surfaces. Any adhesive or grout residues must be removed from aluminum surfaces immediately using clean water. In addition, grouts containing abrasive filling materials should not be used. Regular cleaning can usually be done using warm, clean water with a few drops of washing-up liquid added. In general, it is inadvisable to use acidic or alkaline cleaning agents on aluminum. As a guideline, the approved pH for cleaning agents is between about 6.0 and 7.5 (neutral cleaners). Use of any of these products or materials when they are subject to mechanical or chemical stresses must be carefully assessed for the individual instances.

PRODUCT DATA:

MATERIAL:	Anodized aluminum, powder coated aluminum
WIDTH OF PROFILE: (visible diagonal):	12 / 16 / 22 mm
MAXIMUM WIDTH OF JOINTS:	≤ 8 mm for 12-mm model ≤ 11 mm for 16-mm model ≤ 15 mm for 22-mm model
LENGTH OF PROFILE:	250 cm
ACCESSORIES:	External corner, internal corner, 3 way internal corner, left end cap, right end cap



Dural

711 N Varnell Rd
Tunnel Hill, GA 30755
800.278.1956

www.dural.com