

Since the usage and finishing of the product is not under our control, we accept no liability for the success of the work and can therefore only guarantee the nature of our products as per the accompanying product data sheets and in accordance with our general terms and conditions of sale. The properties listed here represent no guarantee with respect to the eventual use of our products. We reserve the right to make changes due to technical advances. Any other technical information given in the course of a consultation must be confirmed in writing. Colours shown here are restricted by the printing techniques and may differ from those exhibited by the products themselves. We also reserve the right to make alterations to the product technology or design. Only the current version of this data sheet is valid. Such versions are accessible by anyone via the internet. The issue of the latest data sheet invalidates all those that have been published beforehand.

DUROSOL 5mil

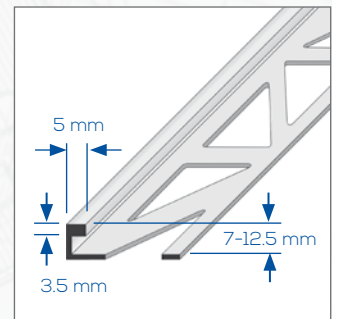
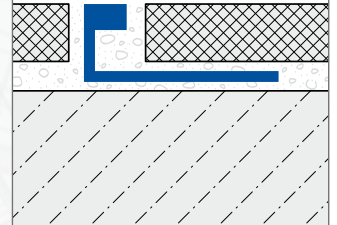
1/2

Square edge profiles – with visible surface (5 mm)

- Information Sheet -



Aluminum / Brass



APPLICATION:

DUROSOL 5mil square edging profiles made by DURAL were especially developed for protection of tile edges. They are appropriate for all living and working spaces. Because of their special angle and different material thickness application it is possible even in areas of permanent and strong stresses. These special profiles were designed to carry off punctual occurring stresses uniformly into covering and base.

Besides the protective function, the DUROSOL 5mil square edging profiles also meet highest de-corative requirements. They provide clean transitions and limits, e.g. between carpet and parquet. Furthermore, they are appropriate as edge protection on stairs as well as for surface limiting. Part of the DUROSOL 5mil profiles are also available of the flexible version „Z-Flex“.

MATERIAL:

Available of DUROSOL 5mil square edging profiles are the following versions: aluminum natural, aluminum anodized, aluminum high gloss anodized, brass natural, brass with mirror finish („Star“ with peel-off strip) / brass chrome plated („Star“ without peel-off strip).

PROPERTIES:

DUROSOL 5mil square edging profiles in aluminum are used in applications where no exceptional chemical reaction is expected. Careful handling of cement materials is required to avoid corrosion. All residues of mortar, tile cement or joint cement are to be immediately removed from all visible surfaces because aluminum is sensitive to alkaline media's. The profile is to be completely embedded into the contact layer. This avoids cavities to generate where alkaline water might accumulate.

DUROSOL 5mil square edging profiles of anodized aluminum are of special refinement and therefore the surface is usually not subject to changes. The visible surfaces however, have to be protected against any cement materials. Damages can occur because of scratching or abrasive objects.

Dural

711 N Varnell Rd

Tunnel Hill, GA 30755

800.278.1956

www.dural.com





Square edge profiles – with visible surface (5 mm)

- Information Sheet -

DUROSOL 5mil square edging profiles of **brass** are also applicable in industrial structures. They are resistant to big loads and mostly resistant against chemical substances originating during the laying of tiles. Important: brass oxidizes when exposed to air, especially with high humidity. The surface is covered with a patina (protective layer) thus changing the appearance.

DUROSOL 5mil square edging profiles made of **brass with a chrome finish** are extremely resistant to mechanical loading. They should not be allowed to come into contact with products that contain salt or hydrofluoric acid, however, since these will damage the surface. To ensure that the high gloss finish of the chrome layer is not impaired, residues of mortar and jointing compounds should be removed from the surface immediately.

For all products and materials, the following applies: The suitability of the material with regard to the expected mechanical loading and chemical exposure must be investigated carefully in each individual case. The generally recognized rules of good engineering practice must always be observed!

Installation:

1. Select DUROSOL 5mil profiles according to the tile thickness.
2. Apply tile cement in the limiting area using a toothed trowel.
3. Press DUROSOL 5mil profiles into the cement bed and align.
4. Completely level out the fastening legs
5. Press tiles tightly in then aligning the tiles that they come flush with the upper profile edge. Place the tiles well embedded.
6. Leave a joint of 1.5 mm towards the profile.
7. Fill the space between tiles and profiles completely with joint mortar.

CARE:

DUROSOL 5mil square edging profiles do not require any special care. Oxidation layers on brass and aluminum profiles can be removed with polishing compounds. A permanent removal however, is not possible. The cleaning materials have to be free from hydrochloric acid and hydro-fluoric acid and must not be abrasive.

PRODUCT DATA:

MATERIAL:	- Aluminum natural, anodized, high gloss anodized (silver / gold) - Brass natural - Brass chrome („Star“ without peel-off strip) - Brass high gloss polished („Star“ with peel-off strip)
LENGTH:	250 cm
VISIBLE SURFACE:	5 mm
HEIGHT:	7 / 9 / 11 / 12,5 mm

Dural

711 N Varnell Rd
Tunnel Hill, GA 30755
800.278.1956

www.dural.com